



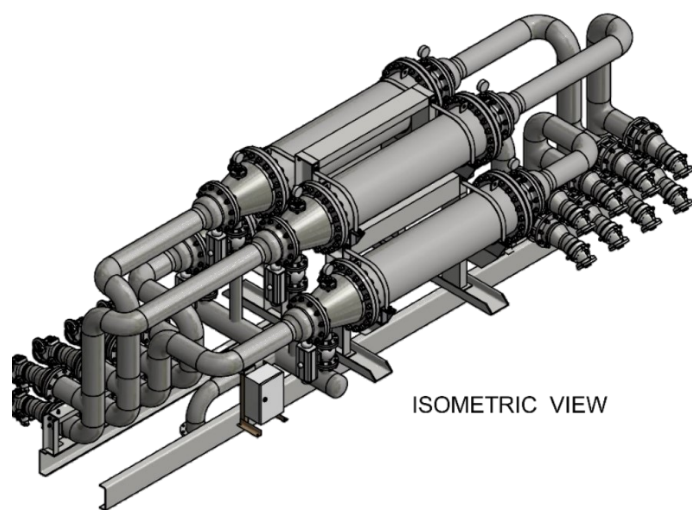
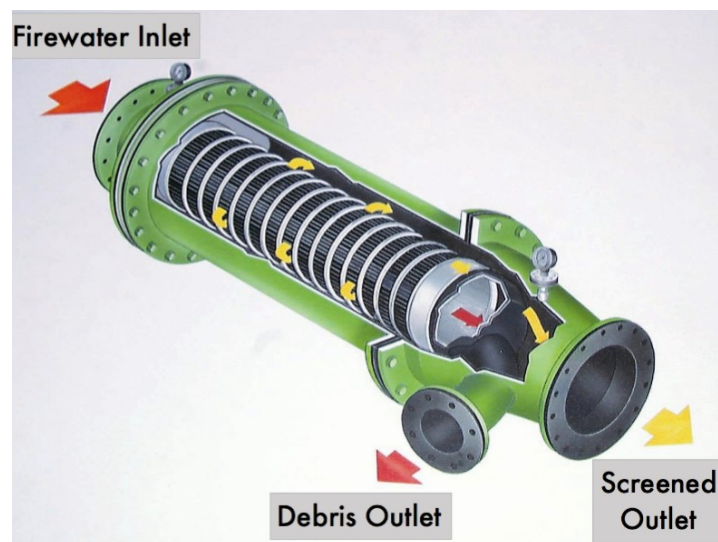
Inline Filtration System

ANY SUITABLE FREIGHT CARRIER
CHASSIS

THE FILTER IS INSTALLED ON THE FIREWATER LINE
TO PREVENT ANY OVERSIZED MATERIAL FROM
BLOCKING DOWNSTREAM EQUIPMENT AND NOZZLES

MAX CAPACITY PER FILTER	12 500 L/MIN
MAX CAPACITY 4 FILTERS	50 000 L/MIN
OPERATING PRESSURE	12 BAR
DESIGN PRESSURE	16 BAR
SCREEN APERTURE SIZE	500 MICRONS

FITTED WITH ADAPTORS TO SUIT HOSES IN USE BY
CLIENT



ISOMETRIC VIEW



For more information pricing or a demonstration
contact Marcé at +27 12 742 9200
sales@marce.co.za
www.marce.co.za